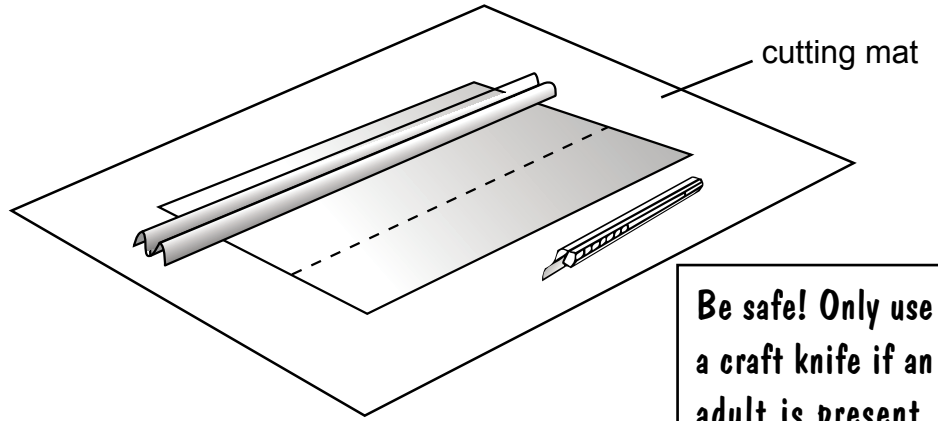


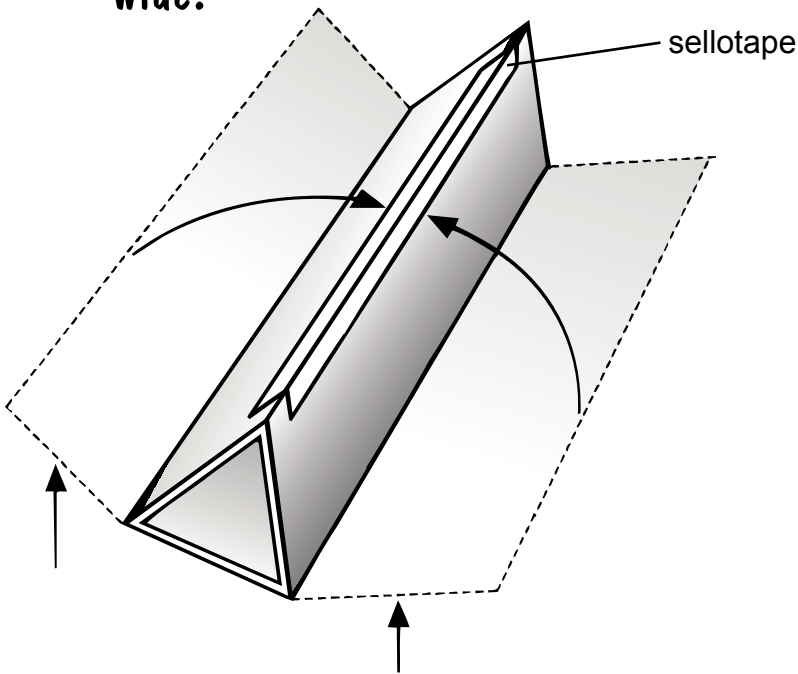
KALEIDOSCOPES

1. Peel the plastic film off a mirror. Don't throw the plastic film away - you will need it later.

2. Using a safety ruler and a craft knife, score the mirror into three equal lengths or cut into three strips which are 3 cm wide.

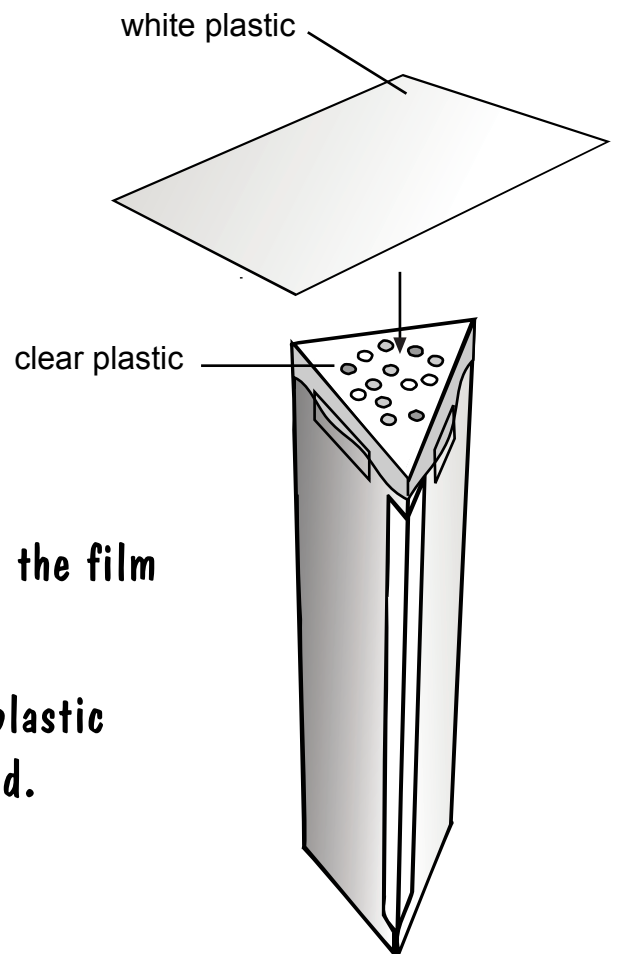


Be safe! Only use a craft knife if an adult is present - it is very sharp!



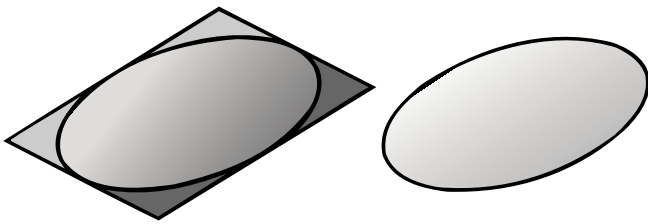
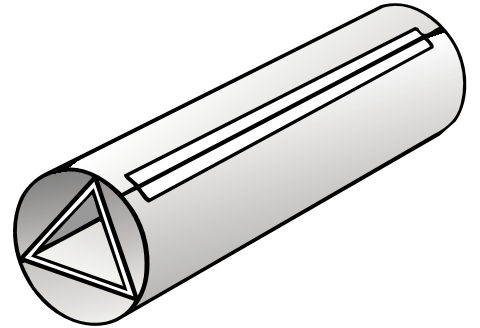
3. Turn the mirror over and into a triangle and secure with sellotape.

4. Use the plastic film from the mirror to cover the other end of the tube.
5. Place several pieces of coloured paper onto the film to form a pattern.
6. Cover the film and paper pieces in white plastic and secure with sellotape or a rubber band.



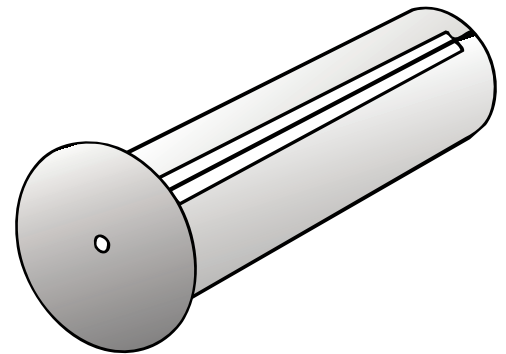
KALEIDOSCOPES

7. Form a sheet of card into a tube around the mirrors, and secure with sellotape.



8. Cut a piece of black card to fit the other end of the tube.

9. Make a small hole in the centre of the black card and then fix it in place.



YOUR KALEIDOSCOPE IS NOW READY TO USE.

IDEAS TO INVESTIGATE

- What happens when you turn the tube?
- What happens when the angle of the mirrors is changed?
HINT This can be done by making two sides the same width and the other smaller or wider.
- Design your own patterns to place between the clear plastic and the white plastic.

KALEIDOSCOPES

In this kaleidoscope design there are three mirrors placed at an angle of 60° to each other.

